

PRODUCT DATASHEET

Confidex Viking™ Classic



Reliable industrial grade Bluetooth® Low Energy beacon for industrial identify, sense and locate applications.

ELECTRICAL SPECIFICATION

Device type

Bluetooth® Low Energy beacon, Battery powered

Wireless interface protocol

Bluetooth® Low Energy 5.1

NFC: ISO/IEC 14443A

Compliance (Declaration of Conformity)

Europe (CE), UK (UKCA), USA (FCC), Canada (IC), Australia/New Zealand (ACMA), South-Korea (KC), Japan (MIC), Ukraine (UkrSEPRO), Brazil (ANATEL)

Operational frequency

ISM: 2402 - 2480 MHz

NFC: 13,56 MHz

SOC

Nordic Semiconductor NRF52832

Memory configuration

512 kB FLASH, 64 kB RAM

Configuration interface

Over NFC interface with Confidex Runestone™ mobile app (available for android mobile phones in Google Play store)

Sensors*

Built-in temperature sensor and hall switch

Optional accelerometer

Sensitivity / Max transmit power

-96 dBm / +4 dBm

Read range**

Up to 100 m / 330 ft.

Battery type (total capacity)

2 x CR2477 (2000mAh) coin batteries

Applicable surface materials

Can be attached to any surface

MECHANICAL SPECIFICATION

Housing material

High quality PC/ASA, white RAL9003 (15% recycled)

Enclosure IP class

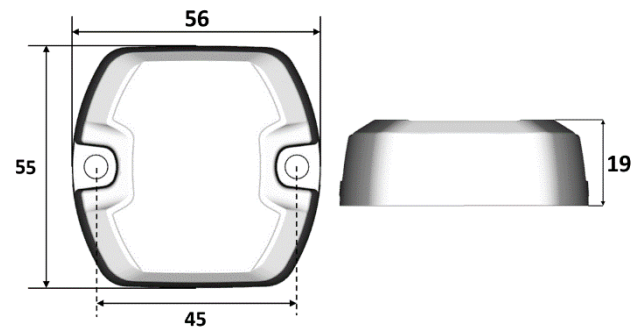
IP69K

Weight

45 g

Tag dimensions

56 x 55 x 19 mm / 2.20 x 2.13 x 0.75 in (M5 size hole)



ENVIRONMENTAL RESISTANCE

Operating temperature

-20°C to +60°C / -4°F to +140°F

EN 60068-2-14: 2009, Test N: Change of temperature

Vibration resistance

EN 60068-2-6: 2008, Test Fc: Vibration, 10G

EN 60068-2-27: 2009, Test Ea: Shock, 20G

ESD immunity

±8 kV according to EN 61000-4-2 (air discharge)

±4 kV according to EN 61000-4-2 (contact discharge)

Chemical resistance ***

No physical or performance changes in:

- 168h Motor oil exposure
- 48h Salt water (salinity 10%) exposure
- 48h Sulfuric acid (10%, pH 2) exposure
- 48h NaOH (10%, pH 13) exposure

Generally good resistance with moderate concentrations of acids, alcohols, alkalis, detergents, and cleaners.

Acetone should be avoided.

Expected lifetime****

7-8 years with typical operating parameters

***Values are the best recommendations; resistance against environmental conditions depends on the combination of all influencing factors, exposure duration and chemical concentrations. Thus, product's final suitability for certain environmental conditions is recommended to be tested. Contact Confidex for more specific information.

**** Beacon lifetime is optimized for long term use, and is highly affected by operating mode parameters, accelerometer usage and ambient temperature. Configured TX power level and advertisement interval have influence on lifetime.

* Temperature sensor is located inside the housing, which limits real time measurement of the ambient temperature.

** Read ranges can vary significantly depending on the mounting surface and environment.

SUPPORTED FRAMES



Eddystone



iBeacon



Confidex Viking™ beacon utilizes Eddystone™ open standard frame format and/or iBeacon protocol ensuring straightforward implementation on a wide range of Bluetooth® Low Energy devices.

Confidex Viking™ Classic comes with standard parameters by default. It can be factory configured with customer specific parameters to support any 3rd party system. Confidex™ Viking can also be personalized with a custom label to ease the tag identification in the field.

Following Eddystone™ frame types are supported:

- **Eddystone™-UID** frame broadcasts 16-byte Beacon ID composed of a 10-byte namespace and a 6-byte instance.
- **Eddystone™-URL** frame broadcasts a URL using a compressed encoding format.
- **Eddystone™-TLM** frame broadcasts telemetry information (e.g. SoC voltage and temperature).
- **iBeacon** advertise 16 bytes UUID, 2 bytes Major, and 2 bytes Minor.
- **Accelerometer** frames (optional) are proprietary advertising packets which broadcasts Confidex Viking™ acceleration statistics and activity.

INSTALLATION INSTRUCTIONS

1. Mechanical fixing – Screw

Mechanical fixing is recommended to be used in every application that includes risk for high mechanical stress or low temperature during tag fixing. Screw size M5 is to be used for fixing.

2. Mechanical fixing – Cable tie

Plastic or metallic cable ties can also be used for fixing Confidex Viking™. Maximum width of cable tie is 4 mm.



3. High performance acrylic adhesive

When mounting the tag with adhesive, clean and dry the surface for obtaining the maximum bond strength.

ORDER INFORMATION

3004054 Confidex Viking™ Classic, no accelerometer

- White, default configuration and no label

3003858 Confidex Viking™ Classic, no acc., personalized

- White, customer specific configuration and label

3003597 Confidex Viking™ Classic, with accelerometer

- White, default configuration and no label

3003600 Confidex Viking™ Classic, with acc., personalized

- White, customer specific configuration and label

3002932 Confidex Viking™ Classic Sample Kit

- Contains 5 pcs of item 3003597

Availability: Please contact Confidex Smart Industries Sales at www.confidex.com/contact-us

For additional information and technical support, please contact us in contact.BLE@confidex.com

DISCLAIMER

THE MATERIALS, PRODUCTS AND SERVICES ARE SOLD SUBJECT TO ITS STANDARD CONDITIONS OF SALE, WHICH ARE INCLUDED IN THE APPLICABLE DISTRIBUTOR OR OTHER SALES AGREEMENT. ALTHOUGH ANY INFORMATION, RECOMMENDATIONS, OR ADVICE CONTAINED HEREIN IS GIVEN IN GOOD FAITH, CONFIDEX MAKES NO WARRANTY OR GUARANTEE, EXPRESS OR IMPLIED, (i) THAT THE RESULTS DESCRIBED HEREIN WILL BE OBTAINED UNDER END-USE CONDITIONS, OR (ii) AS TO THE EFFECTIVENESS OR SAFETY OF ANY DESIGN INCORPORATING ITS PRODUCTS, MATERIALS, SERVICES, RECOMMENDATIONS OR ADVICE. EXCEPT AS PROVIDED IN CONFIDEX STANDARD CONDITIONS OF SALE, CONFIDEX AND ITS REPRESENTATIVES SHALL IN NO EVENT BE RESPONSIBLE FOR ANY LOSS RESULTING FROM ANY USE OF ITS MATERIALS, PRODUCTS OR SERVICES DESCRIBED HEREIN.

Each user bears full responsibility for making its own determination as to the suitability of Confidex products, materials, services, recommendations, or advice for its own particular use. Each user must identify and perform all tests and analyses necessary to assure that its finished systems incorporating Confidex products, materials, or services will be safe and suitable for use under end-use conditions. Nothing in this or any other document, nor any oral recommendation or advice, shall be deemed to alter, vary, supersede, or waive any provision of this Disclaimer, unless any such modification is specifically agreed to in a writing signed by Confidex.

This device complies with Part 15 of the FCC Rules. Operation is subject to the following two conditions: (1) this device may not cause harmful interference, and (2) this device must accept any interference received, including interference that may cause undesired operation.

