

# PRODUCT DATASHEET

## Confidex Ironside Flex™



Durable hang tag for hard-to-tag items with industry leading performance

### ELECTRICAL SPECIFICATION

**Device type**

RAIN RFID / EPCglobal Gen2v2

**Operational frequency**

Global 865-928MHz

**IC options and memory configurations**

Impinj M730™

- EPC 128 bit; TID 96 bit

**EPC memory content**

Unique number encoded as a default

**Read range (2W ERP)\***

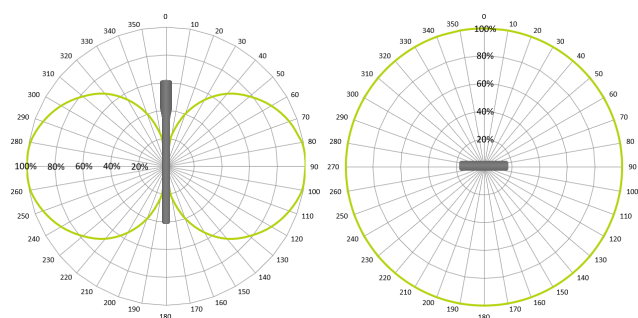
Up to 20 m / 65 ft

**Applicable surface materials\***

Designed to be hanging from any material including metals. Proximity of metals can influence the read range.

\* Read ranges are theoretical values that are calculated for non-reflective environment. Different surface materials may influence performance.

### RADIATION PATTERNS



### MECHANICAL SPECIFICATION

**Tag materials**

High quality thermoplastic elastomer

**Weight**

7 g

**Delivery format**

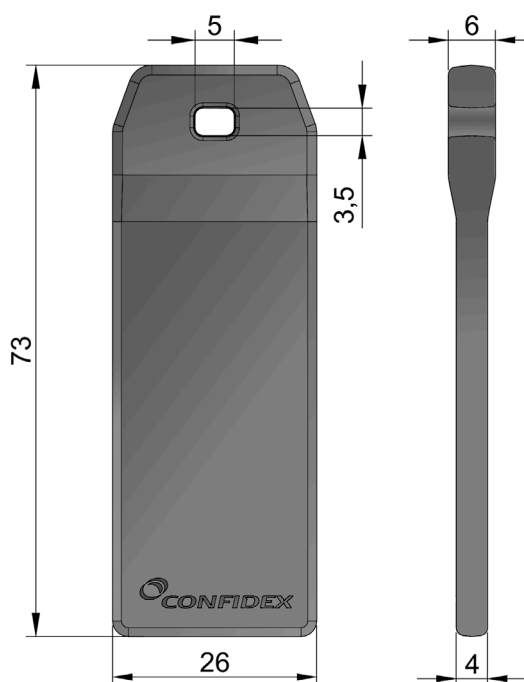
Single

**Amount in box**

600 pcs

**Dimensions**

73 x 26 x 6 mm / 2.87 x 1.02 x 0.16 in



### ENVIRONMENTAL RESISTANCE

**Operating temperature**

-35°C to +85°C / -31°F to +185°F

**Ambient temperature**

-35°C to +85°C / -31°F to +185°F

**Peak temperature**

+140°C / +284°F for 10min

**IP classification**

IP68

**Chemical resistance**

No physical or performance changes in:

- 168 hour Motor oil exposure
- 168 hour Salt water (salinity 10%) exposure
- 168 hour Sulfuric acid (10%, pH 2) exposure
- 168 hour NaOH (10%, pH 13) exposure
- 2h Acetone

**Expected lifetime**

Years in normal operating conditions

Values in the table are the best recommendations; resistance against environmental conditions depends on the combination of all influencing factors, exposure duration and chemical concentrations. Thus, product's final suitability for certain environmental conditions is recommended to be tested. Contact Confidex for more specific information.

## INSTALLATION INSTRUCTIONS

Confidex Ironside Flex™ is designed to be attached hanging from the asset. Attachment can be made for example with plastic cable tie or a metallic wire.

Tag is readable also in close proximity of metals, but it is still recommended to test final read range in actual application.

Tag polarization is along the longest dimension. This should be taken into account when linearly polarized reader antennas are used.



## ORDER INFORMATION

**Product number:** 3004152

**Product name:** Confidex Ironside Flex™ M730

For other versions, additional information and technical support contact Confidex Ltd.

### DISCLAIMER

THE MATERIALS, PRODUCTS AND SERVICES ARE SOLD SUBJECT TO ITS STANDARD CONDITIONS OF SALE, WHICH ARE INCLUDED IN THE APPLICABLE DISTRIBUTOR OR OTHER SALES AGREEMENT. ALTHOUGH ANY INFORMATION, RECOMMENDATIONS, OR ADVICE CONTAINED HEREIN IS GIVEN IN GOOD FAITH, CONFIDEX MAKES NO WARRANTY OR GUARANTEE, EXPRESS OR IMPLIED, (i) THAT THE RESULTS DESCRIBED HEREIN WILL BE OBTAINED UNDER END-USE CONDITIONS, OR (ii) AS TO THE EFFECTIVENESS OR SAFETY OF ANY DESIGN INCORPORATING ITS PRODUCTS, MATERIALS, SERVICES, RECOMMENDATIONS OR ADVICE. EXCEPT AS PROVIDED IN CONFIDEX STANDARD CONDITIONS OF SALE, CONFIDEX AND ITS REPRESENTATIVES SHALL IN NO EVENT BE RESPONSIBLE FOR ANY LOSS RESULTING FROM ANY USE OF ITS MATERIALS, PRODUCTS OR SERVICES DESCRIBED HEREIN.

Each user bears full responsibility for making its own determination as to the suitability of Confidex products, materials, services, recommendations, or advice for its own particular use. Each user must identify and perform all tests and analyses necessary to assure that its finished systems incorporating Confidex products, materials, or services will be safe and suitable for use under end-use conditions. Nothing in this or any other document, nor any oral recommendation or advice, shall be deemed to alter, vary, supersede, or waive any provision of this Disclaimer, unless any such modification is specifically agreed to in a writing signed by Confidex.

## PERSONALIZATION

### Pre-encoding

- Customer specific encoding of EPC or user memory. Locking permanently or with password.

### Customized laser engraving

- Customer specific layout including logo, text, numbers.