

PRODUCT DATASHEET

Confidex Ironside Fin™



Industrial robustness combined with a flexible zip-tie attachment for hard-to-tag items

ELECTRICAL SPECIFICATION

Device type

UHF RFID / EPCglobal Gen2v2

Operational frequency

Global 865-928 MHz

IC type

NXP UCODE 8™

Memory configuration

EPC 128 bit; TID 96 bit

EPC memory content

Unique number encoded as a default

Read range (2W ERP)*

On all materials up to 15m / 50 ft

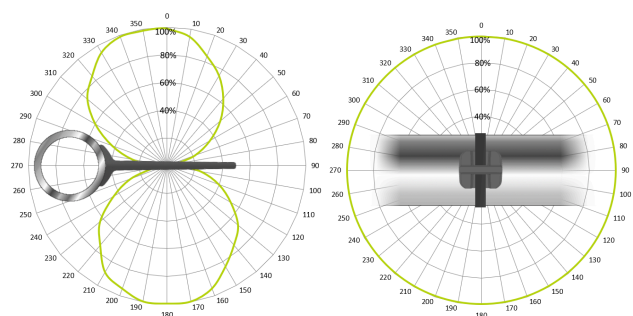
Applicable surface materials*

Designed for metallic and plastic pipes

* Read ranges are theoretical values that are calculated for non-reflective environment, in where antennas with optimum directivity are used with maximum allowed operating power according to ETSI EN 302 208 (2W ERP). Different surface materials may have an effect on performance.

RADIATION PATTERNS

Radiation pattern can be affected by the shape of the tagged asset. Testing in real environment is recommended to find the best reading orientation.



MECHANICAL SPECIFICATION

Tag materials

High quality thermoplastic elastomer. Tag is flexible for improved resistance again mechanical impacts and flexibility for different radius of items.

Weight

8 g

Delivery format

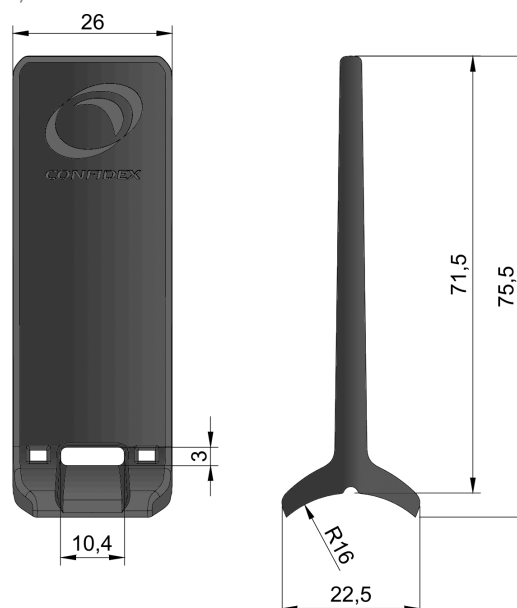
Single

Amount in box

240

Tag dimensions

77,5 x 26 x 22,6 mm / 3.1 x 1 x 0.9 in (±1mm)



ENVIRONMENTAL RESISTANCE

Operating temperature

-40°C to +85°C / -40°F to +185°F

Peak temperature

+140°C / +284°F for 10min

Water resistance

IP68

Weather ability

Excellent, including UV-resistance and sea water

Chemical resistance

No performance changes in:

- 168h NaOH (10%, pH 13)
- 168h Sulfuric Acid (10%, pH 2)
- 168h Motor oil
- 168h Salt water (salinity 10%)
- 2h Acetone

Storage condition

1 year in +20°C / 50% RH

Expected lifetime

Years in normal operating conditions

Values in the table are the best recommendations; resistance against environmental conditions depends on the combination of all influencing factors, exposure duration and chemical concentrations. Thus, product's final suitability for certain environmental conditions is recommended to be tested. Contact Confidex for more specific information.

PERSONALIZATION OPTIONS

Pre-encoding

- Customer specific encoding of EPC or user memory. Locking permanently or with password.

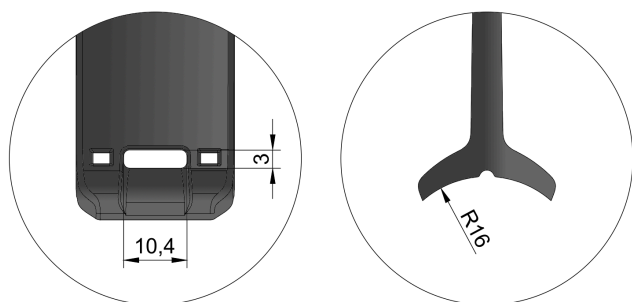
Customized laser engraving

- Customer specific layout including logo, text, numbers.

INSTALLATION INSTRUCTIONS

Confidex Ironside Fin™ is designed to be attached on round assets using cable tie. Tag is optimized to withstand also close proximity of metals. The material and shape of the asset where tag is attached to will also impact the final performance and radiation pattern. Therefore, it is recommended to test the optimal location in the real environment. You may also contact Confidex for recommendations.

Ironside Fin is designed to be attached with maximum 10mm / 0.4" zip tie width. The base of the tag is 16mm in radius but due to flexible materials it is possible to tag wide range of items without strict radius limitation.



ORDER INFORMATION

Product number: 3004104

Product name: Confidex Ironside Fin™ U8

For other versions, additional information and technical support contact Confidex Ltd.

DISCLAIMER

THE MATERIALS, PRODUCTS AND SERVICES ARE SOLD SUBJECT TO ITS STANDARD CONDITIONS OF SALE, WHICH ARE INCLUDED IN THE APPLICABLE DISTRIBUTOR OR OTHER SALES AGREEMENT. ALTHOUGH ANY INFORMATION, RECOMMENDATIONS, OR ADVICE CONTAINED HEREIN IS GIVEN IN GOOD FAITH, CONFIDEX MAKES NO WARRANTY OR GUARANTEE, EXPRESS OR IMPLIED, (i) THAT THE RESULTS DESCRIBED HEREIN WILL BE OBTAINED UNDER END-USE CONDITIONS, OR (ii) AS TO THE EFFECTIVENESS OR SAFETY OF ANY DESIGN INCORPORATING ITS PRODUCTS, MATERIALS, SERVICES, RECOMMENDATIONS OR ADVICE. EXCEPT AS PROVIDED IN CONFIDEX STANDARD CONDITIONS OF SALE, CONFIDEX AND ITS REPRESENTATIVES SHALL IN NO EVENT BE RESPONSIBLE FOR ANY LOSS RESULTING FROM ANY USE OF ITS MATERIALS, PRODUCTS OR SERVICES DESCRIBED HEREIN.

Each user bears full responsibility for making its own determination as to the suitability of Confidex products, materials, services, recommendations, or advice for its own particular use. Each user must identify and perform all tests and analyses necessary to assure that its finished systems incorporating Confidex products, materials, or services will be safe and suitable for use under end-use conditions. Nothing in this or any other document, nor any oral recommendation or advice, shall be deemed to alter, vary, supersede, or waive any provision of this Disclaimer, unless any such modification is specifically agreed to in a writing signed by Confidex.